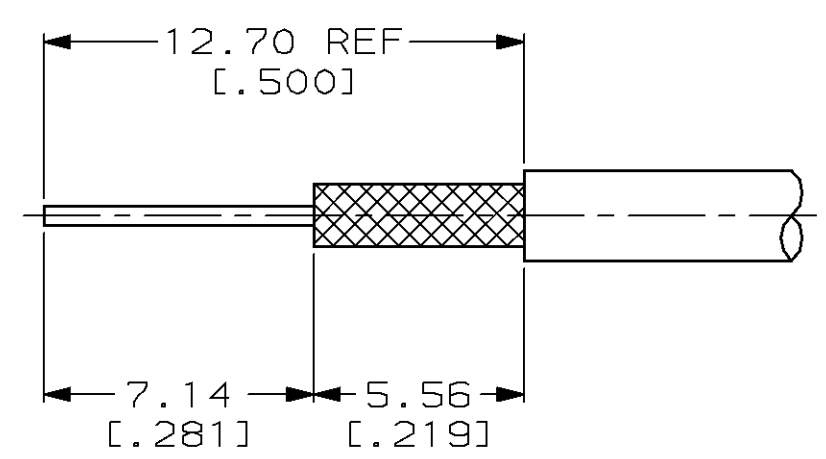
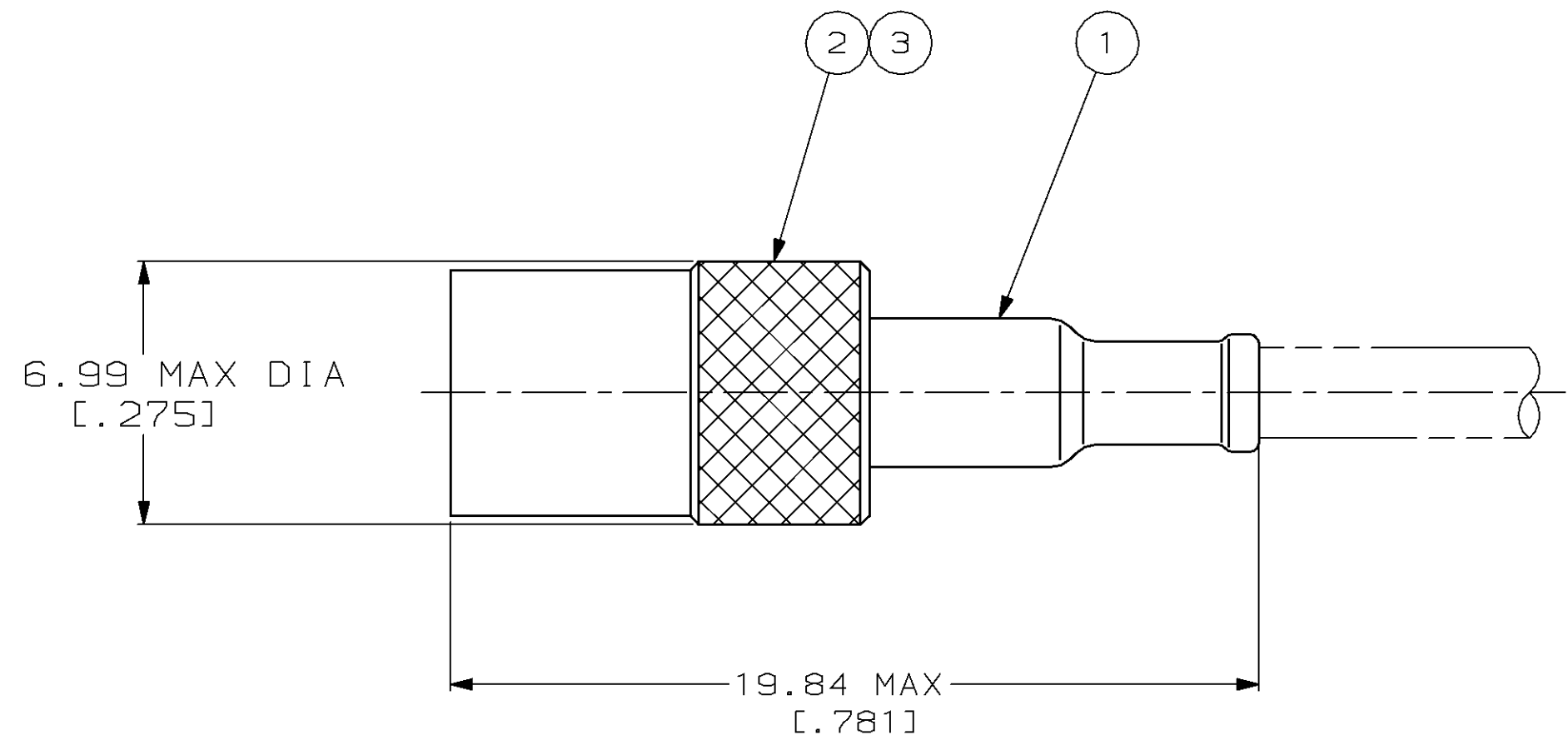


THIS DRAWING IS UNPUBLISHED. RELEASED FOR PUBLICATION, 19 .
 © COPYRIGHT 19 BY AMP INCORPORATED. ALL INTERNATIONAL RIGHTS RESERVED.

LOC	DIST	P	F	ZONE	LTR	DESCRIPTION	DATE	APPD
AJ	16	✓	✓		G	REDWN & OBS PN 330723 PER AJ-2431	06-20-91	BMW
					H	REV PER 0130-0161-92	03-22-93	BMW
					J	REVISED PER 0503-0017-96	10-3-96	JG
					K	REVISED PER 0503-0166-97	4-7-97	JG

- PARTS PACKAGED UNASSEMBLED
- CRIMP TOOL: 69143
- SEE I.S. 1771



RECOMMENDED STRIP LENGTH

RG-180/U, 180A/U & 195/U	330595-1	1-328695-3	3-329049-0	1-330723-2
RG-180/U, 180A/U & 195/U	330595	1-328695-2	329049	1-330723-1
RG-180/U, 180A/U & 195/U	330595	328695	329049	1-330723-0
CABLE SIZE	③ PLUG ASSY QTY=1	② COLLAR, RETAINING QTY=1	① FERRULE QTY=1	PART NUMBER

		PART NO		
DO NOT SCALE PRINT. UNLESS SPECIFIED DIMENSIONS IN mm [INCHES] TOLERANCES ON :	DR 6-20-91 B.WERNER	AMP Incorporated Harrisburg, PA 17105-3608		
2 PLC DEC ± 0.41 [.016]	CHK 23/APR/93 G.MICHAEL			
3 PLC DEC ± -	APPD 23/APR/93 G.MICHAEL	NAME PLUG, THREADED, MINIATURE SERIES		
ANGLES ± -	APPD 23/APR/93 J.DAVIS			
MATERIAL -	PRODUCT SPEC 108-12013	SIZE	CAGE CODE	DRAWING NO
FINISH -	APPLICATION SPEC -	③	00779	330723
	WEIGHT -	SCALE	5:1	SHEET 1 OF 1